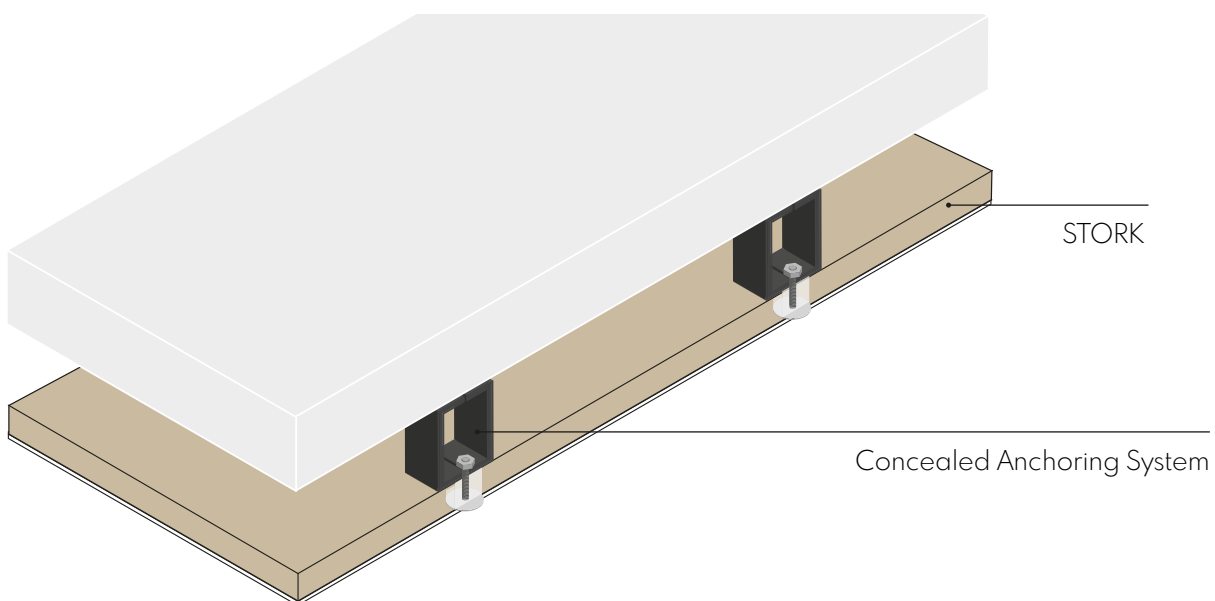


STORK

INSTALATION DETAILS CEILINGS

Also an appropriate option for soffits and suspended ceilings, STORK panels achieve a Group I fire rating and have great long term thermal properties. Ideal for new and retrofit projects,

STORK is very lightweight and easy to install with invisible anchor systems, making installations fast and simple.



FURTHER QUESTIONS, ADVICE OR REQUESTS?
TALK TO US

Detailed drawings and recommended texts for tender documentation of the shown examples are available on request. Do you need help or advice on a project? Contact our experienced technical services department - get in touch.

PLEASE READ DISCLAIMERS:

These guidelines are provided in good faith to help prevent any problems caused by common errors in installation.

The manufacturer and/or distributor of this product shall not be held responsible for installation actions taken or not taken. There are many details of installation that are assumed to be general construction knowledge of professional installers; which are not included in these instructions. These installation guidelines are intended to be strictly recommendations and are NOT to serve as a step-by- step, fail-safe installation checklist. Selection of an experienced installer is the sole responsibility of the project owner and designer/architect.

Stork Composites do not accept any responsibility for job failure resulting from or associated with improper site environmental conditions.

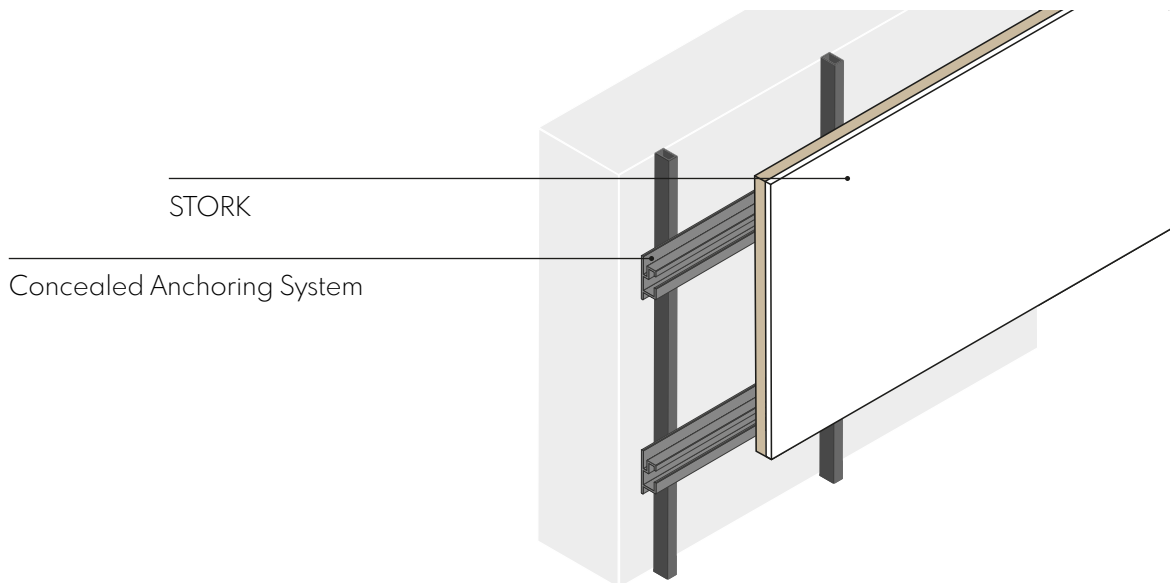
INSTALATION DETAILS

VENTILATED FACADES

STORK panels are a versatile cladding for innovative and functional ventilated facade systems, balconies and sunblind solutions.

STORK panels can be used on their own or in combination with other materials. They are perfect to singular effects and textures, to determine the aesthetics and to underline the qualities of a building.

A certified invisible anchoring system makes stork the best solution for every complex cladding project.



FURTHER QUESTIONS, ADVICE OR REQUESTS?
TALK TO US

Detailed drawings and recommended texts for tender documentation of the shown examples are available on request. Do you need help or advice on a project? Contact our experienced technical services department - get in touch.

PLEASE READ DISCLAIMERS:

These guidelines are provided in good faith to help prevent any problems caused by common errors in installation. The manufacturer and/or distributor of this product shall not be held responsible for installation actions taken or not taken. There are many details of installation that are assumed to be general construction knowledge of professional installers; which are not included in these instructions. These installation guidelines are intended to be strictly recommendations and are NOT to serve as a step-by- step, fail-safe installation checklist. Selection of an experienced installer is the sole responsibility of the project owner and designer/architect. Stork Composites do not accept any responsibility for job failure resulting from or associated with improper site environmental conditions.