

PROJECT NUMBER:

PROJECT NAME:



PROJECT ADDRESS:

DATE:

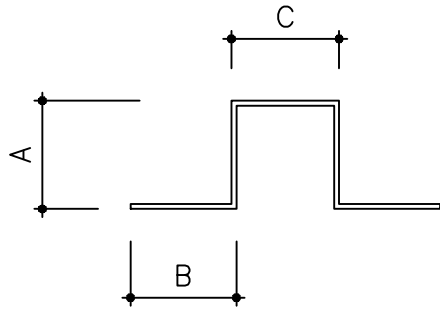
CLIENT:

Please fill out the order form and send to info@hausupply.ca

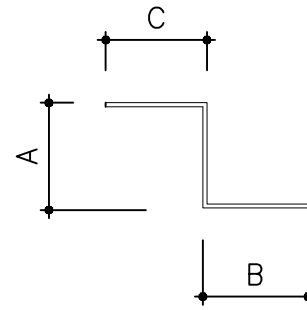
DATE REQ:

SITE CONTACT:

TYPICAL HAT BAR:



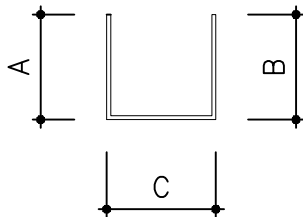
TYPICAL Z BAR:



A DIM:	B DIM:	C DIM:	FINISH:	GAUGE:	LENGTH:	QUANTITY:
--------	--------	--------	---------	--------	---------	-----------

A DIM:	B DIM:	C DIM:	FINISH:	GAUGE:	LENGTH:	QUANTITY:
--------	--------	--------	---------	--------	---------	-----------

TYPICAL U BAR:



CUSTOM SHAPE:

A DIM:	B DIM:	C DIM:	FINISH:	GAUGE:	LENGTH:	QUANTITY:
--------	--------	--------	---------	--------	---------	-----------

GIRTH:	FINISH:	GAUGE:	LENGTH:	QUANTITY:
--------	---------	--------	---------	-----------