



kladfix

high quality • value • cladding systems

KLADFIX

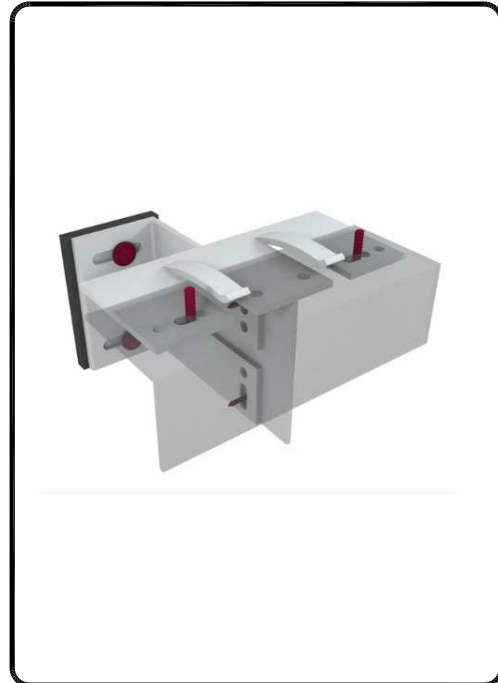
LEGEND:

- A - Cladding Material
 - B - Cladding-rivet
 - C - PTS Screws (length to suit panel thickness)
 - D - Kladfix Horizontal adapter
-
- 1 - SFS steel wall + cement board
 - 2 - Kladfix - support bracket
 - 3 - Stainless steel fixing Kladfix
 - 4 - T-(L) profile vertical Kladfix
 - 5 - Self drilling stainless steel screw SR2 4.8 x 19
 - 6 - Thermal insulation
 - 7 - Ventilation Cavity
 - 8 - Kladfix Thermal isolator

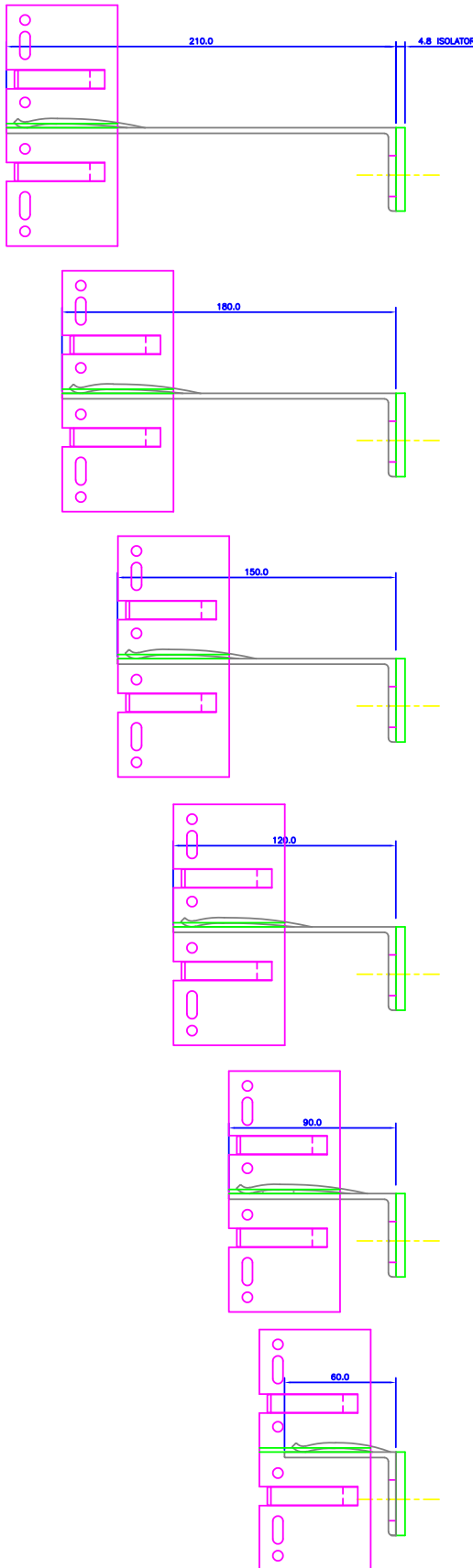


aluminium support system for
rainscreen cladding

KLADFIX KX01 SYSTEM



Kladfix bracket - SINGLE	6.5 mm hole	11.00 mm hole
60	KXV060S-6.5	KXV060S-11
90	KXV090S-6.5	KXV090S-11
120	KXV120S-6.5	KXV120S-11
150	KXV150S-6.5	KXV150S-11
180	KXV180S-6.5	KXV180S-11
210	KXV210S-6.5	KXV210S-11
ISOLATOR SINGLE	KX-S-ISO	KX-S-ISO
Kladfix bracket DOUBLE	6.5 mm hole	11.00 mm hole
60	KXV060D-6.5	KXV060D-11
90	KXV090D-6.5	KXV090D-11
120	KXV120D-6.5	KXV120D-11
150	KXV150D-6.5	KXV150D-11
180	KXV180D-6.5	KXV180D-11
210	KXV210D-6.5	KXV210D-11
ISOLATOR DOUBLE	KX-D-ISO	KX-D-ISO
Kladfix Rail	Rail Code	
50 x 50 x 2.2 L	KXL50-50-2.2-3000	3000 = 3 metre length, can also be 6000 = 6 metre length, 4850=4.85 metre length
50 x 100 x 2.2 T	KXT50-100-2.2-3000	3000 = 3 metre length, can also be 6000 = 6 metre length, 4850=4.85 metre length
Additional rails		
60 x 40 x 2.2 L	L60-040-2.2-3000	3000 = 3 metre length, can also be 6000 = 6 metre length, 4850=4.85 metre length
60 x 80 x 2.2 T	T60-080-2.2-3000	3000 = 3 metre length, can also be 6000 = 6 metre length
60 x 100 x 2.2 T	T60-100-2.2-3000	3000 = 3 metre length, can also be 6000 = 6 metre length, 4850=4.85 metre length
120 x 60 x 2.2 T	T60-120-2.2-3000	3000 = 3 metre length, can also be 6000 = 6 metre length, 4850=4.85 metre length
140 x 60 x 2.2 T	T60-140-2.2-3000	3000 = 3 metre length, can also be 6000 = 6 metre length
Fixings	fixing ref	
SR2 4.2 x 16	4.2-16	rail to bracket
JT3 6.3 x 25	JT3-2-6.3X25S16	metsec steel frame with no cement board or folded omega
JT3 6.3 x 38	JT3-3-6.3X38S16	metsec steel frame with up to 12mm cement board
JT3 6.3 x 50	JT3-3-6.3X50S16	metsec steel frame with up to 18mm cement board
SDF 10 x 60	SDF-KB-10-60	to block / concrete dependent on block strength thickness
SDF 10 x 80	SDF-KB-10H-80	to block / concrete dependent on block strength thickness
SDF 10 x 100	SDF-KB-10H-100	to block / concrete dependent on block strength thickness

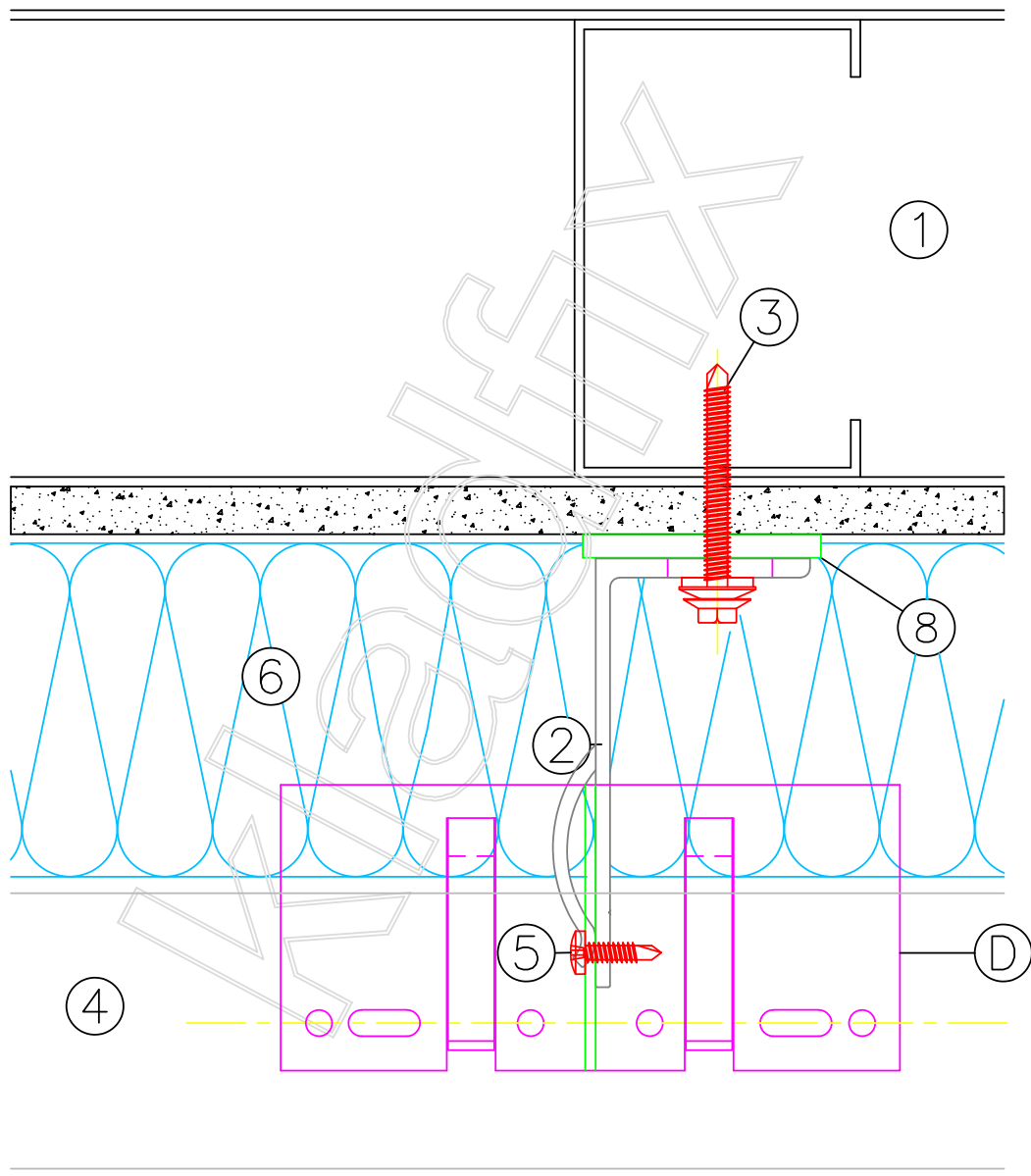


HORIZONTAL SECTIONS
TOLERANCES FOR ADJUSTMENT
WITH OUT ISOLATOR WITH ISOLATOR
ADD 5mm TO ALL DIMENSIONS

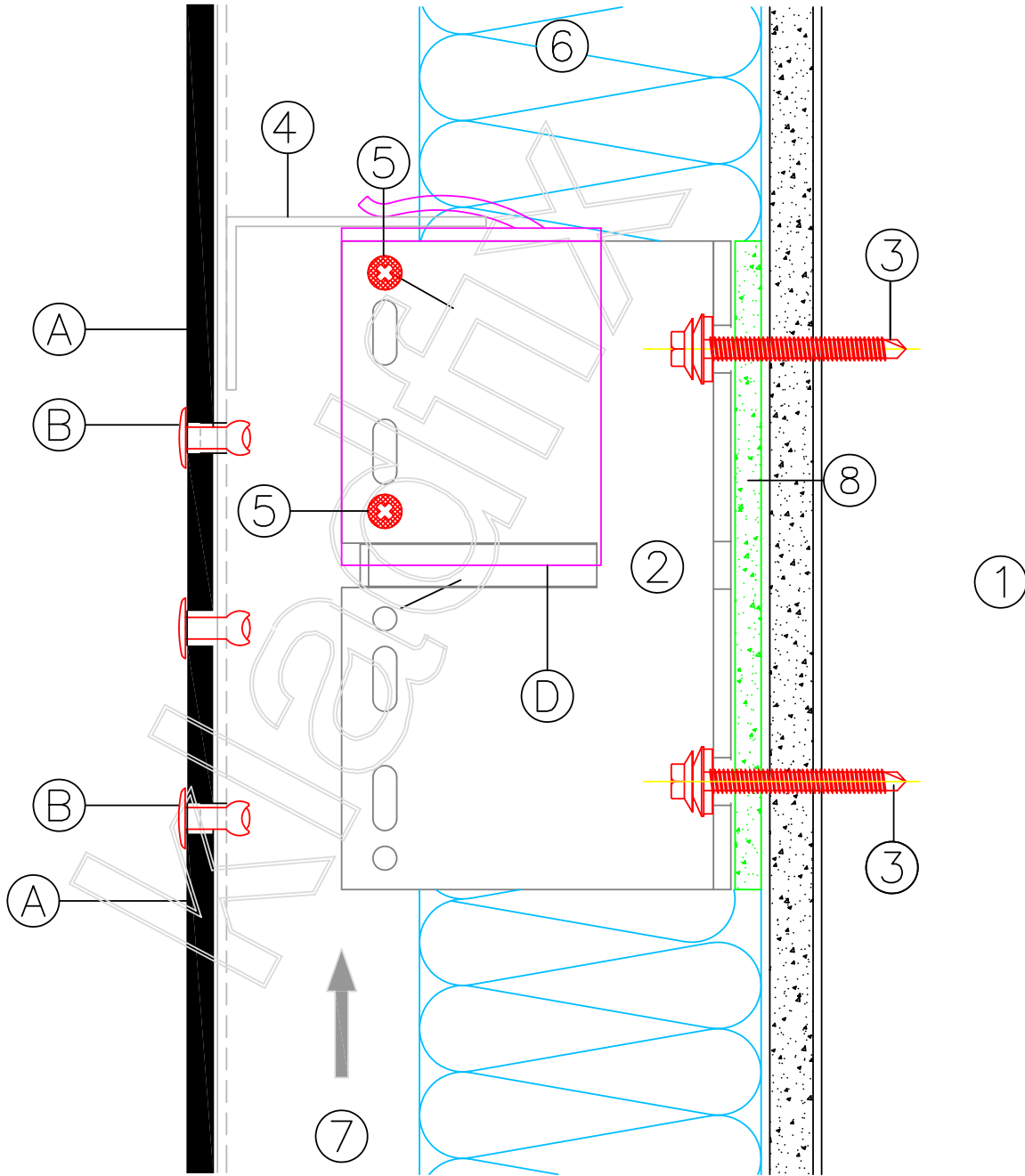
BRACKETS	Adjustment range for each bracket (mm)	
KLADFIX 60	from 75	to 90
KLADFIX 90	from 92	to 122
KLADFIX 120	from 122	to 152
KLADFIX 150	from 152	to 182
KLADFIX 180	from 182	to 212
KLADFIX 210	from 212	to 242

BRACKETS	Adjustment range for each bracket (mm) 40 leg in bracket	
KLADFIX 60	from 62	to 80

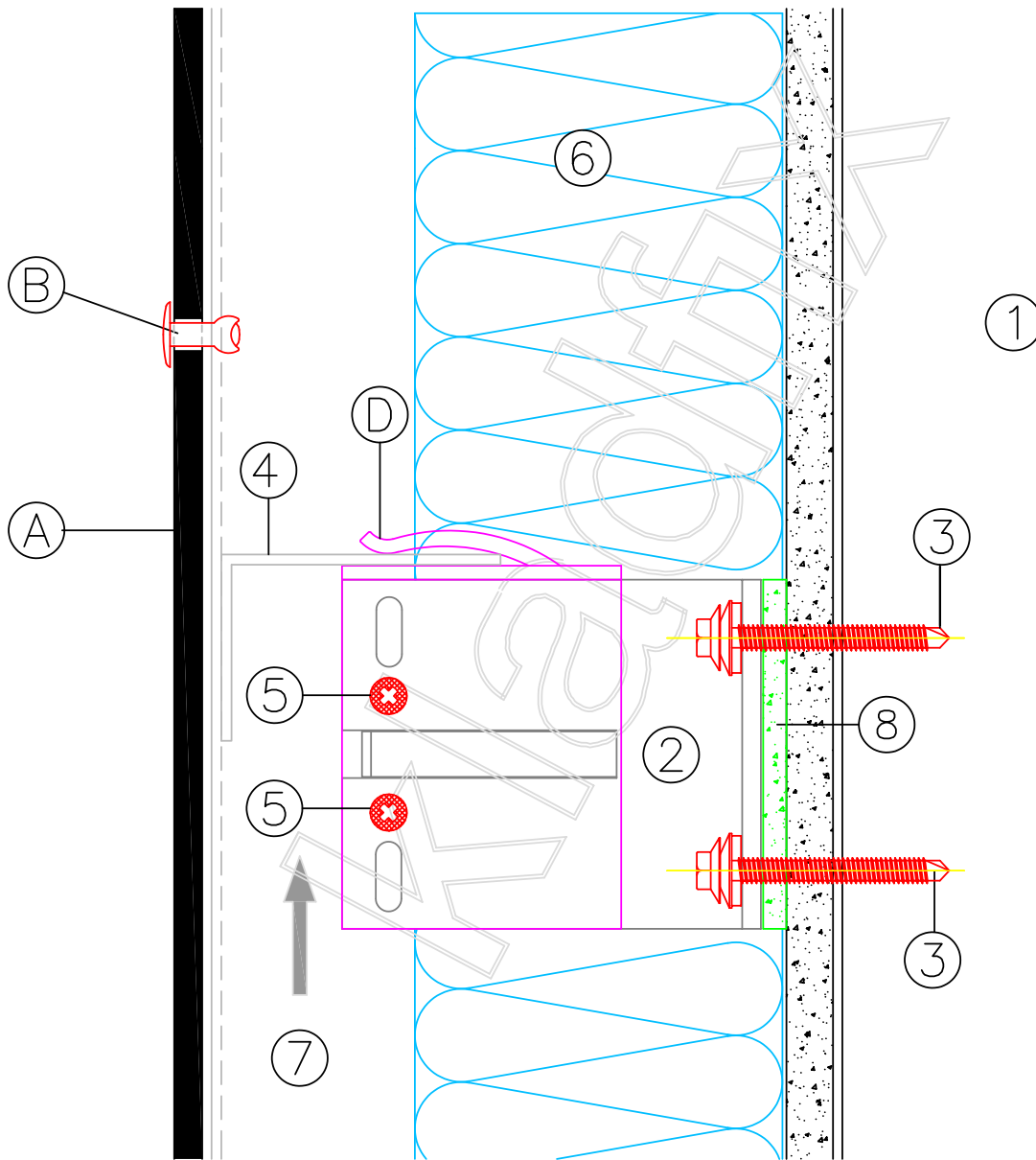
BRACKETS	Adjustment range for each bracket (mm) 60 leg in bracket	
KLADFIX 60	from 86	to 100
KLADFIX 90	from 92	to 132
KLADFIX 120	from 122	to 162
KLADFIX 150	from 152	to 192
KLADFIX 180	from 182	to 222
KLADFIX 210	from 212	to 252



HORIZONTAL SECTION - KLADFIX 90



VERTICAL SECTION - KLADFIX 90 DOUBLE FIXED POINT



VERTICAL SECTION - KLADFIX 90 SINGLE FIXED POINT