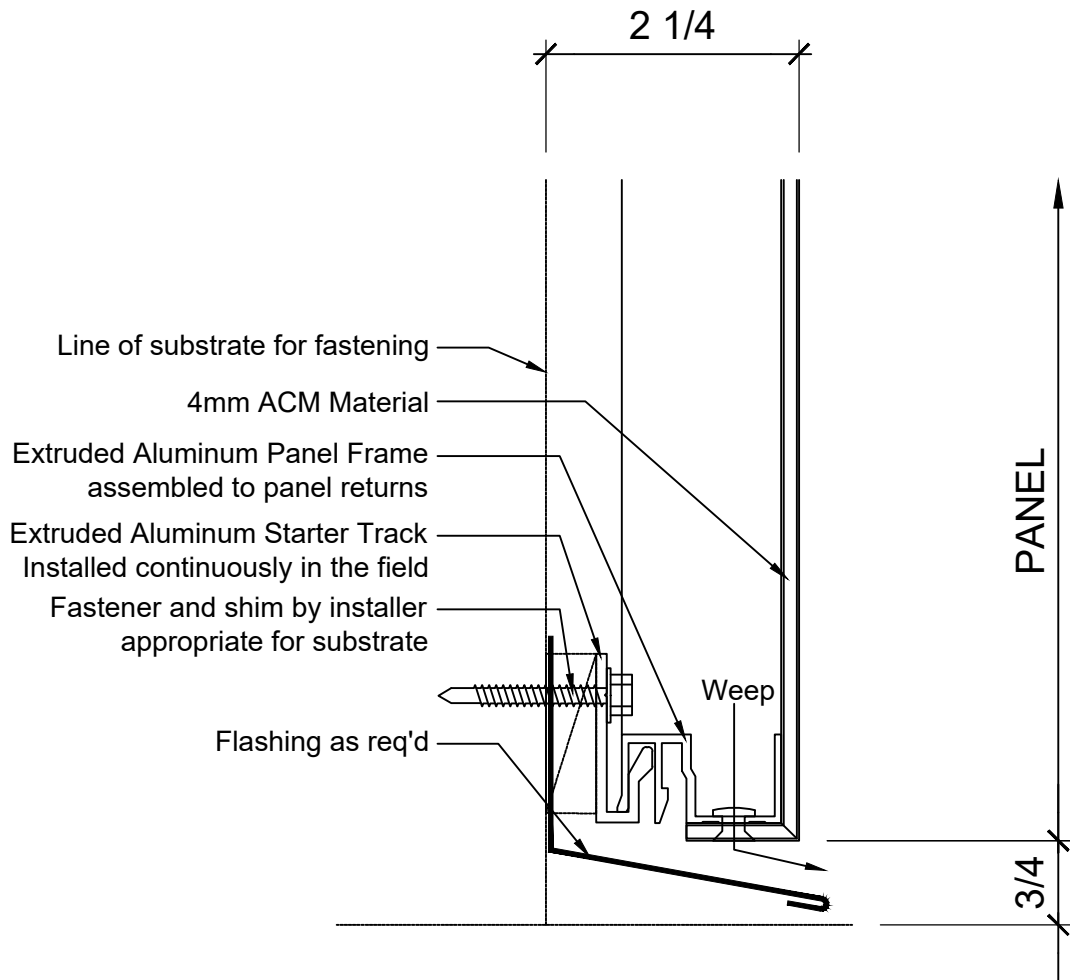


Notes:

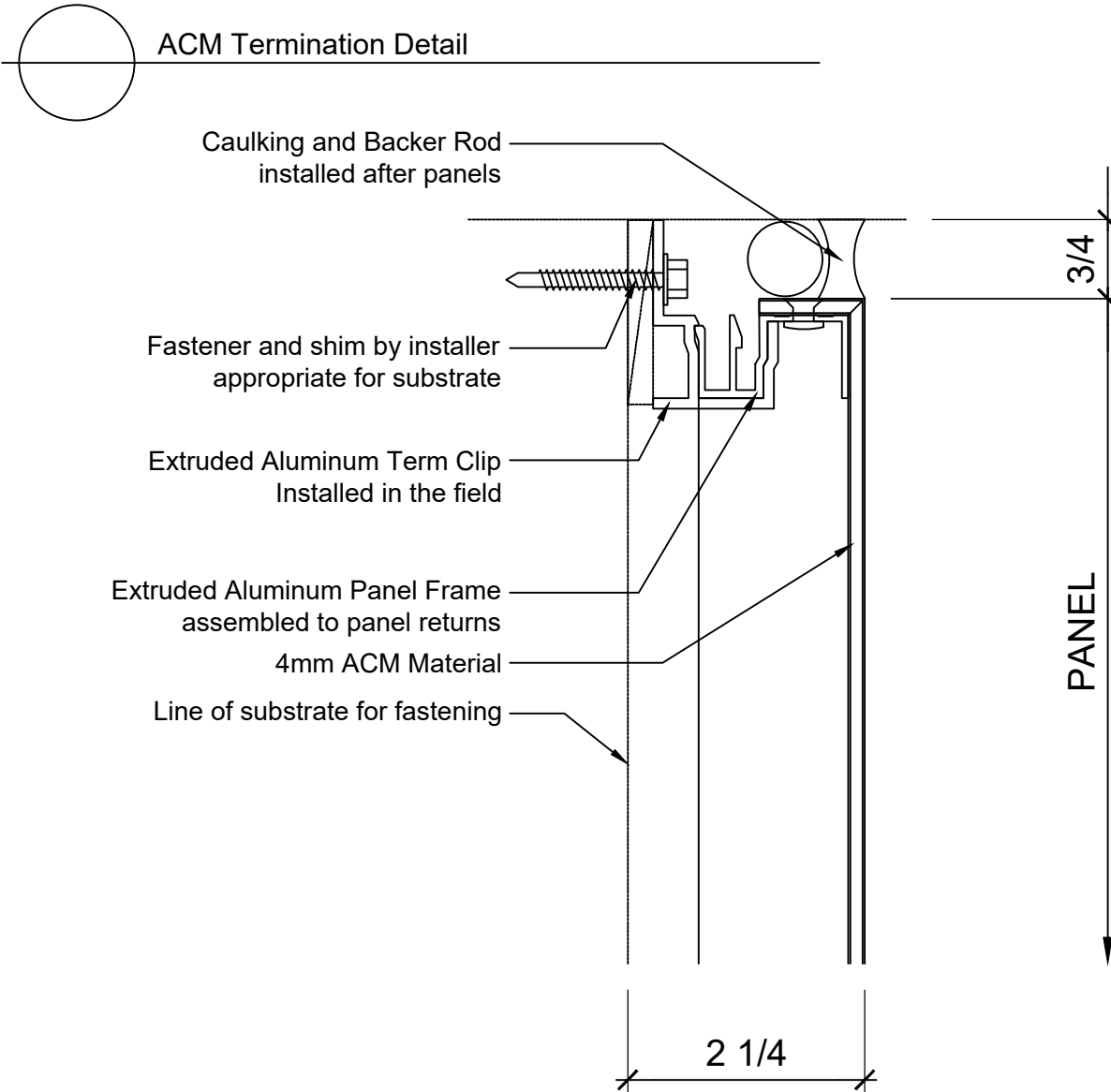
1. Details provided are for the intent of use by Architects, Engineers and other design professionals for design purposes only. This drawings is not for construction purposes.
2. Do not scale this drawing
3. This detail is accurate at the time of development, it must be reviewed and approved by the manufacturer to be considered accurate.
4. Installation must be completed in accordance with the manufacturers specifications.
5. This detail represents a rainscreen system, the building must be water tight prior to installation of panel components.

ACM Starter Detail



Notes:

1. Details provided are for the intent of use by Architects, Engineers and other design professionals for design purposes only. This drawings is not for construction purposes.
2. Do not scale this drawing
3. This detail is accurate at the time of development, it must be reviewed and approved by the manufacturer to be considered accurate.
4. Installation must be completed in accordance with the manufacturers specifications.
5. This detail represents a rainscreen system, the building must be water tight prior to installation of panel components.



Notes:

1. Details provided are for the intent of use by Architects, Engineers and other design professionals for design purposes only. This drawings is not for construction purposes.
2. Do not scale this drawing
3. This detail is accurate at the time of development, it must be reviewed and approved by the manufacturer to be considered accurate.
4. Installation must be completed in accordance with the manufacturers specifications.
5. This detail represents a rainscreen system, the building must be water tight prior to installation of panel components.